

SELLICK

STT80



ROUGH TERRAIN TOW FORKLIFT



13,000 lb. Capacity

Tier 4 Diesel Engine

Powerful

Rugged

Dependable



STT80 TOW FORKLIFT

13,000 lb. Capacity @ 12" load center

Standard specifications

The STT80 rough terrain tow forklift provides incredible towing power, great operator visibility along with unsurpassed safety and comfort.

Engine



Ecomax T4 74 hp, direct injection, common rail, electronic, 4 cylinder diesel engine exceeds Tier 4 compliant emissions standards. No Diesel Particulate Filter (DPF) or Selective Catalyst Reduction (SCR) exhaust aftertreatment needed. High torque at low speeds (295 ft. lbs @ 1,200 RPM).

Transmission

Fully automatic powershift transmission.

Axles

Drive: Torque proportioning four pinion differential with positive retraction brakes.

2WD Steer: Pin mounted, oscillating axle with sealed tapered roller bearings. Oscillation: 14°

Optional 4WD: Outboard planetary with torque proportioning differential. On-the-go engagement.

Brake system

Power assisted braking system with enclosed oil immersed multi-disc service brakes. Automotive style parking brake, lever applied, operator adjusted.

Steering

Load sense power steering with hydraulic pump assistance. Turns: 4.5 lock to lock

Instruments

Multi-function digital LCD screen with fuel level, engine coolant temperature, system voltage, engine RPM, and hour meter reading. On-board diagnostics reduces downtime.

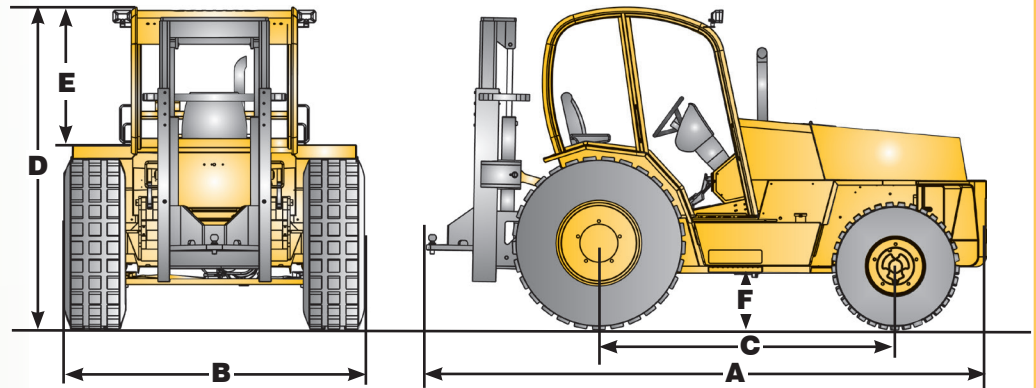
Mast assemblies

Slider style, no bearing mast design minimizes need for adjustment and maintenance.

Control handles provide lift and sideshift functions. Sideshift: 6" total

Optional equipment

- Block heater
- AM/FM MP3 player
- Cab w/lockable doors, tinted windows and heat
- Outside rearview mirrors
- Various hitch & carriage options for any application



	Ref.	STT80
Lift capacities @ 12 inch load center		13,000 lbs / 5,897 kg
Total weight (with slider mast & hitch)		14540 lbs / 6,595 kg
Drawbar (laden)		2WD: 13,300 lbs / 6,033 kg 4WD: 15,000 lbs / 6,804 kg
Overall length	A	157" / 3,988 mm
Overall width	B	89" / 2,261 mm
Wheelbase	C	89" / 2,261 mm
Height to top of overhead guard	D	97" / 2,464 mm
Distance from seat to overhead guard	E	43" / 1,092 mm
Outside turning radius		178" / 4,521 mm
Frame underclearance	F	15" / 381 mm
Mast sideshift		6" / 152 mm
Travel speed (standard)		20 mph / 32 kmh
Gradeability		25%
Tire type & size		Front: 15.5 x 25 - 16 ply L3 pneumatic Rear: 14 x 17.5 - 14 ply pneumatic
Electrical system		Alternator: 95A Battery: 1,000 CCA (12V system)
Engine model		ECOMAX T4
Cylinders		4
Engine output (gross power)		74 hp @ 2,200 rpm
Peak torque		295 ft. lbs 1,200 lbs
Transmission type		PS750 Powershift
<i>Because of our constant dedication to product improvement, all specifications are subject to change without notice.</i>		
<i>— All Sellick forklifts meet or exceed all ANSI/ITSDF B56.6 2016 safety standards. —</i>		



Sellick Equipment Limited
P.O. Box 1000/358 Erie Street North
Harrow, Ontario, Canada • NOR 1G0
519-738-2255 • sellick@mnsi.net
www.sellickequipment.com



Sold & serviced by: